



DDRC-GRMS

Switching Room Controller

Compact switching controller for single room solutions

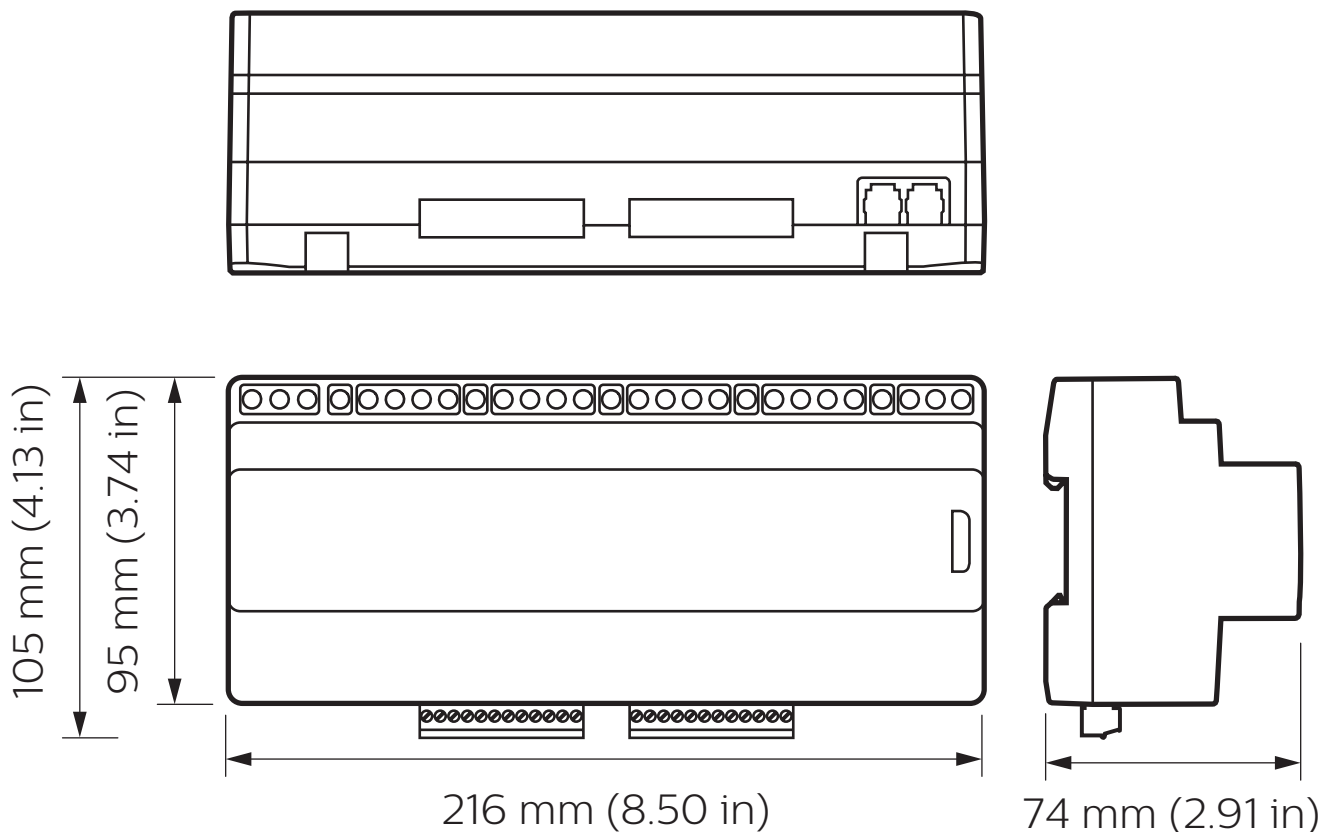
The Philips Dynalite DDRC-GRMS controller is a general room automation and energy management solution. This controller is completely self-contained and requires no external power supply, relays or processor.

DDRC-GRMS

Compact switching controller for single room solutions

- **Dry contact inputs** – The unit receives instructions from button presses or a key card switch.
- **Pre-programmed** – No programming required as the unit is supplied with complex functions such as 'master on/off', 'room unoccupied', 'do not disturb' or 'make up room' already configured.
- **Built-in directional motor relays** – Provides control of motorized blinds for a full automation solution.
- **Two 16 A power relays** – Enables a total energy management solution, reducing standby power consumption by switching off power outlets and air conditioning systems when not required.
- **Up to nine switched channels** – Three groups of common-feed relays allow independent control of multiple lighting circuits and room status indicators.
- **Single box solution** – Provides an economical total energy management solution for hotel guest rooms and suites.

Dimensions



Specifications

Due to continuous improvements and innovations, specifications may change without notice.



DDRC-GRMS
Switching room controller

Electrical

Supply Type	Single-phase
Supply Voltage	100-240 VAC
Supply Current	0.25 A
Outputs	13 x switched relays (See diagram below)
Output Channel Ratings	(See Page 4)
Maximum Group Load (CH3-CH5, CH6-CH9, CH10-CH11, CH12-CH13)	6 A
DyNet DC Output Voltage	12 VDC
DyNet DC Output Current (supply for approximately 10 user interfaces)	200 mA

Control

Serial Ports	1 x RS485
Supported Protocols	DyNet
Dry Contact Inputs	18
Diagnostic Functions	Device online/offline status
User Controls	1 x service switch
Indicators	1 x service LED

Relay Endurance

CH1 Mechanical	> 5 million cycles
CH1 Resistive Load	> 100,000 cycles
CH1 High Inrush Load	> 25,000 cycles
CH2 Mechanical	> 10 million cycles
CH2 Resistive Load	> 50,000 cycles
CH2 High Inrush Load	> 50,000 cycles (10 A rms / 100 A peak) > 100,000 cycles (5 A rms / 50 A peak)
CH3 Mechanical	> 1 million cycles
CH3 Resistive Load	> 100,000 cycles

Physical

Dimensions (H x W x D)	105 x 216 x 74 mm (4.13 x 3.74 x 2.91 in)
Packed Weight	0.82 kg (1.81 lb)
Construction	Polycarbonate DIN-rail enclosure (12 unit)
Serial Ports	2 x RJ12
Supply Terminals	3 x screw terminal Line, Neutral, Earth
Supply Terminal Conductor Size	5 mm ² (#10 AWG) (max)
Dry Contact Terminals	2 x 12-way pluggable screw terminal
Dry Contact Terminal Conductor Size	1.5 mm ² (#16 AWG) (max)
Output Terminals	19 x screw terminal
Output Terminal Conductor Size	5 mm ² (#10 AWG) (max)

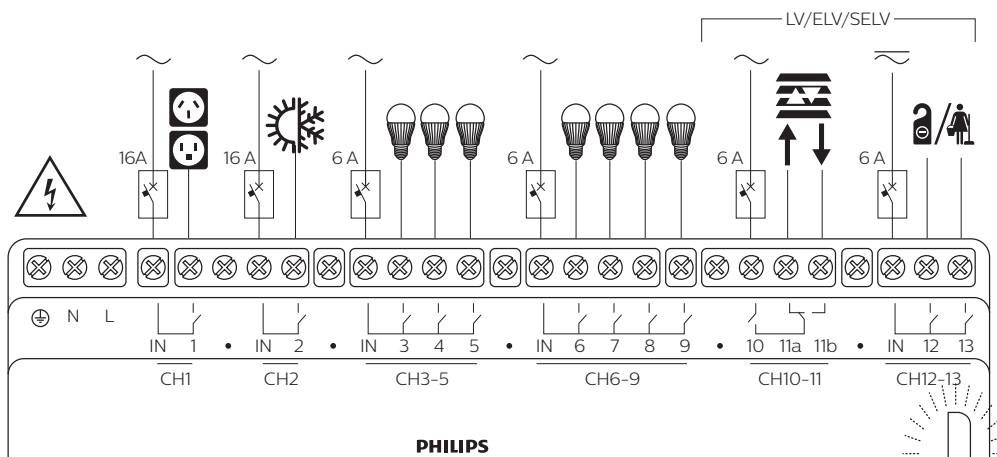
Environment

Operating Temperature	0° to 50°C ambient (32° to 122°F)
Storage/Transport Temperature	-25° to 70°C ambient (-13° to 158°F)
Humidity	0 to 90% non-condensing
IEC Pollution Degree	II

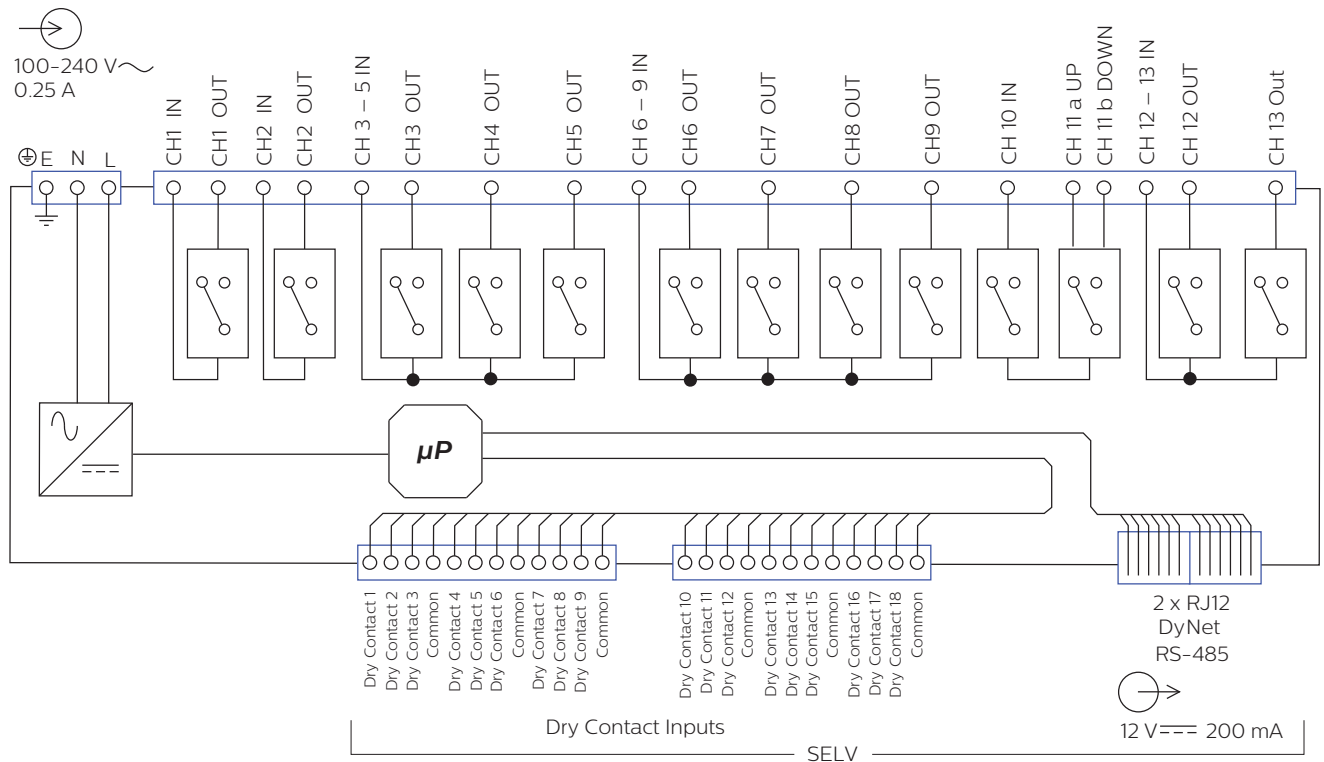
Compliance

Certification	CE, RCM, RoHS
---------------	---------------

Example Output Diagram



Electrical



Output Channel Ratings

Load Type	Maximum Rating per Output*			
	CH1	CH2	CH3 - CH5 CH6 - CH9 CH12 - CH13	CH10 - CH11
General Use	16 A, 240 VAC	16 A, 240 VAC	4 A, 240 VAC	6 A, 240 VAC 0.5 A, 30 VDC
Incandescent	10 A, 120 VAC 5 A, 240 VAC	5 A, 240 VAC	4 A, 240 VAC	4 A, 240 VAC
Electronic Ballast	3 A, 240 VAC	1 A, 120 VAC 0.5 A, 240 VAC	2 A, 120 VAC 0.8 A, 240 VAC	2 A, 120 VAC 0.8 A, 240 VAC
Motor		9.8 FLA (½ HP), 120 VAC 8 FLA (1 HP), 240 VAC		5.2 FLA (⅓ HP), 120 VAC 4.3 FLA (⅔ HP), 240 VAC
TV Rating	TV-8, 120 VAC	TV-5, 120 VAC	TV-8, 120 VAC	
Inrush Current	165 A	100 A	60 A	60 A

* Note Maximum Group Load on Page 3

Ordering Code

Product
DDRC-GRMS

Philips 12NC
913703667709

